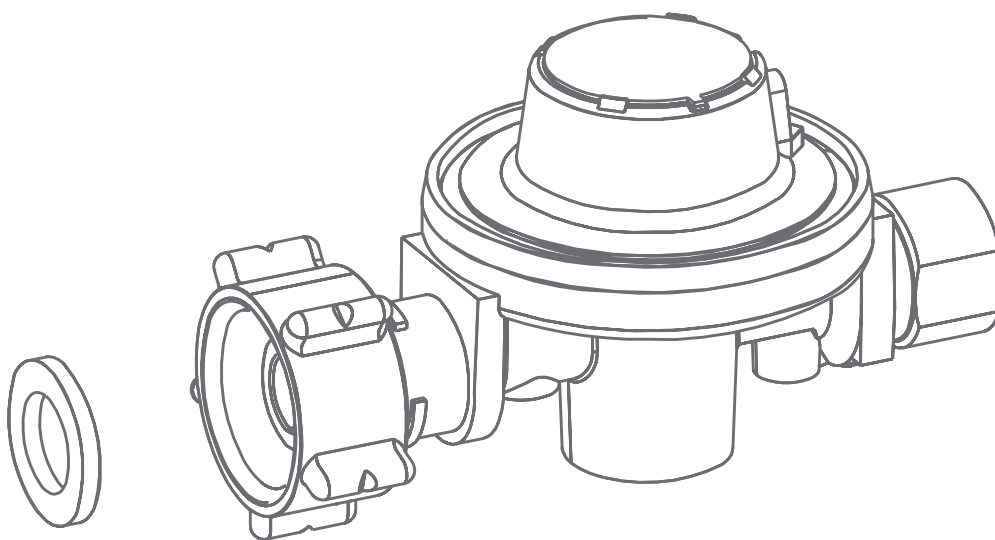


PROPANE HP REGULATORS



Flat seal
Cat. No. 922

- | | |
|----------------|----------------|
| → Cat. No. 682 | → Cat. No. 693 |
| → Cat. No. 684 | → Cat. No. 694 |
| → Cat. No. 686 | |

EXPRESS
depuis 1905

Shrink wrapping