

GB

RAFALE REPLACEMENT PARTS INSTRUCTIONS

GENERAL PRECAUTIONS FOR USE

**READ THIS MANUAL CAREFULLY IN ITS ENTIRETY
AND RETAIN IT IN A SAFE PLACE FOR FUTURE REFERENCE.**

The replacement parts for the RAFALE and RAFALE + range of equipment are intended only for professional applications and must only be used by users who are trained in their use.

With the exception of the list of replacement parts supplied by Express, for safety reasons all other repairs must be undertaken by the manufacturer and distributors. Failure to observe this clause will result in the guarantee being null and void.

PIEZO IGNITION KIT - Item. 35242

- **Vent the hose, disconnect the equipment.**
- Take the hex spanner supplied with the equipment

- Unscrew the 4 screws from the gun and withdraw them **A**

- Lift off the cover by the guard **B**

- Lift off the trigger vertically **C**

- Lift out the pin **D**

- Take out the piezo ignition unit **E**

- Position the stripped part of the wire in the housing. Fit the rigid ignition wire coming from the rear of the equipment in this location, and refit the split pin **D**,

- Position the piezo ignition unit with the head against the spring **E**

- Refit the trigger with the piezo unit horizontal **C**

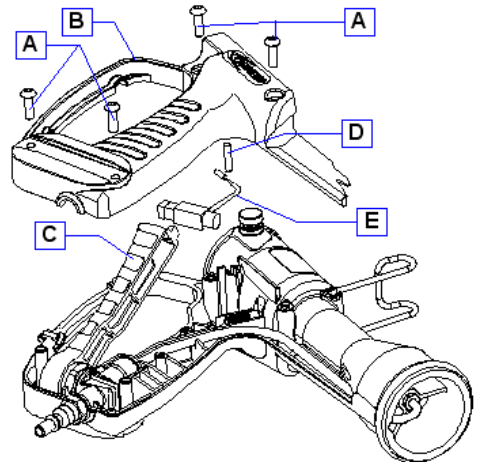
- Refit the cover in position with the notch in the rear opening **B**

- Replace the four screws. **A**

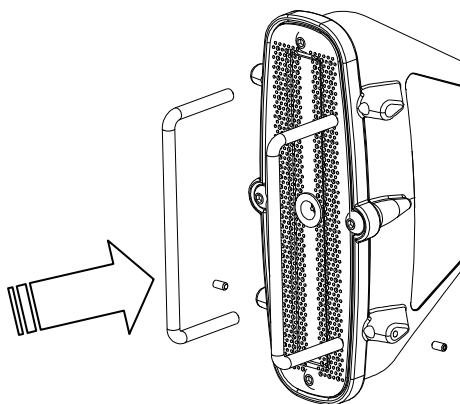
- Tighten until the components are closed together (tighten firmly but not excessively)

- Check for correct operation: **With the equipment still disconnected from the cylinder** move to a darkened area. Check that a good spark is produced in the brass cup at the centre of the burner.

It is essential that you read this manual before use.

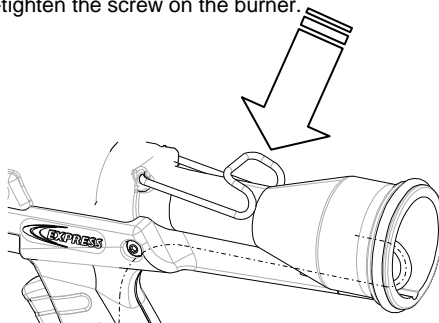


HOOK + PROTECTION + SCREW KIT - Ref. 35243



PROTECTION REPLACEMENT

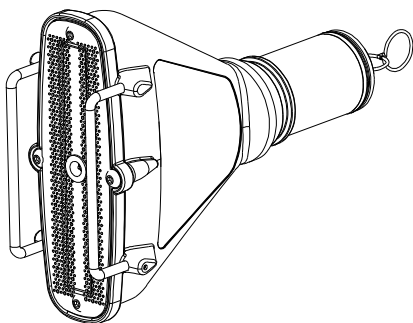
- The protection wires can be replaced if they have been lost or are badly twisted.
- Loosen the screw located on the burner.
- Remove the damaged wire.
- Fit the new protection wire.
- Re-tighten the screw on the burner.



HOOK REPLACEMENT

To replace the hook in the event of it being lost or damaged: Place the first part of the hook in the hole in the handle; pull on the second part so that

BURNER KIT - Item. 35244



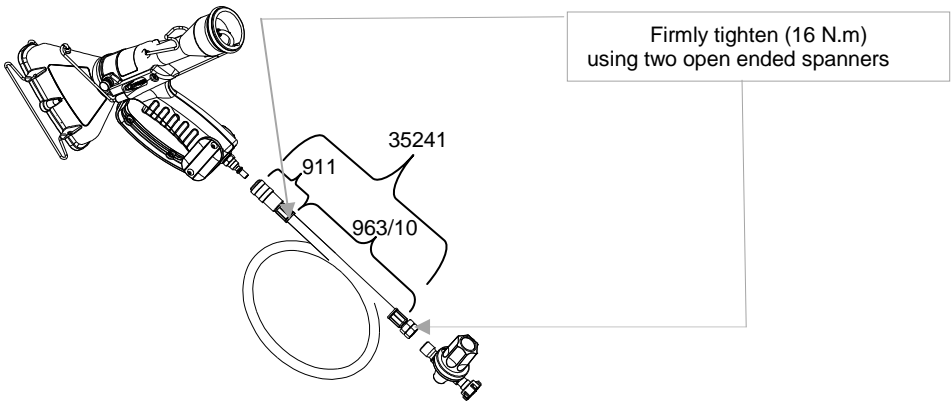
Changing the burner:

- Loosen the knurled screw located on the handle.
- Carefully withdraw the burner.
- Place the burner in the handle.
- Tighten the knurled screw.

Check:

- O-ring present on the burner and in good condition.

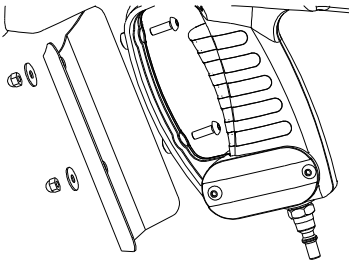
HOSE KIT - Item. 35241



- Purge the hose. To do this, close the gas cylinder valve and burn off the gas that is still in the circuit by pressing the trigger.
- When there is no more gas in the hose, disconnect the regulator from the cylinder.
- Disconnect the quick connector from the heat-shrink gun.
- Unscrew the nut that is in contact with the regulator using two open ended spanners
- Replace the hose. (item. 35241)
- Re-tighten the nut on the regulator using two open ended spanners; tighten firmly (to a torque of 16 N.m). Do not just hand-tighten only.
Re-connect the quick connector to the equipment. Carry out the start-up checks.

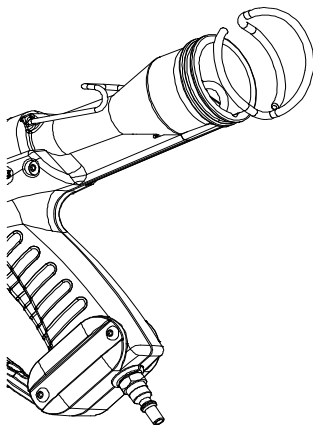
Remark: for an explanation of the hose manufacture date and for further details please refer to the EXPRESS ISO 3821 Hose technical data sheet.

DEFLECTOR - Item. 35088



- To prevent too much heat being transferred towards the operator's hand.
- Using the hex spanner supplied with the equipment fit the deflector as indicated above.

AIR CLIP - Ref. 35198



- To prevent working clothes from obstructing the venturi during heat-shrink operations.
- Withdraw the protective O-ring at the rear of the equipment and clip the air clip in this location.

GUARANTEE

1. Guilbert Express provides a full guarantee against all manufacturing defects for all equipment that has not undergone dismantling other than replacement of spare parts, or any modifications, and which is used in accordance with the instructions. This guarantee is expressed through the replacement of defective parts.
2. Guilbert Express provides a guarantee that your equipment will operate correctly for the first two years of use following purchase, on condition that the operating method specified in the instructions has been followed and on condition that your equipment has not been subjected to any impacts (deformation of the body, of the protection wires or of the burner, no damage to threads etc.). This guarantee does not include consumables such as the hose, the automatic igniter and the ignition wire.
3. Guilbert Express will guarantee exchange for a reconditioned item of equipment (in the event of a manufacturing fault or during the first two years following the purchase of the equipment).

The guarantee is only valid on condition that you have returned the duly completed guarantee form.

The GUILBERT EXPRESS organisation will accept no responsibility for accidents caused to individuals or property due to incorrect use or due to use not specifically provided for in the instructions. In the event of any dispute, the courts of Creteil, France are deemed to be the sole competent courts.

No other jurisdiction locations will be accepted.

The use or resale of RAFALE equipment implies total acceptance of the above conditions.

GUILBERT EXPRESS

33 Avenue du Maréchal de Lattre de Tassigny
94127 Fontenay sous Bois Cedex - FRANCE
www.guilbert-express.net / info@express.fr

35282g - GB-Z2